

# DATA SHEET

For a complete data sheet, please also download:

- The IC04 LOCMOS HE4000B Logic Family Specifications HEF, HEC
- The IC04 LOCMOS HE4000B Logic Package Outlines/Information HEF, HEC

## HEF40240B

### buffers

Octal inverting buffers with 3-state outputs

Product specification  
File under Integrated Circuits, IC04

January 1995

Octal inverting buffers with 3-state outputs

HEF40240B  
buffers

DESCRIPTION

The HEF40240B is an octal inverting buffer with 3-state outputs. It features output stages with high current output capability suitable for driving highly capacitive loads.

The 3-state outputs are controlled by the output enable inputs  $\overline{EO}_A$  and  $\overline{EO}_B$ . A HIGH on  $\overline{EO}$  causes the outputs to assume a high impedance OFF-state. The device also features hysteresis on all inputs to improve noise immunity.

Schmitt-trigger action in the inputs makes the circuit highly tolerant to slower input rise and fall times.

The HEF40240B is pin and functionally compatible with the TTL '240' device.

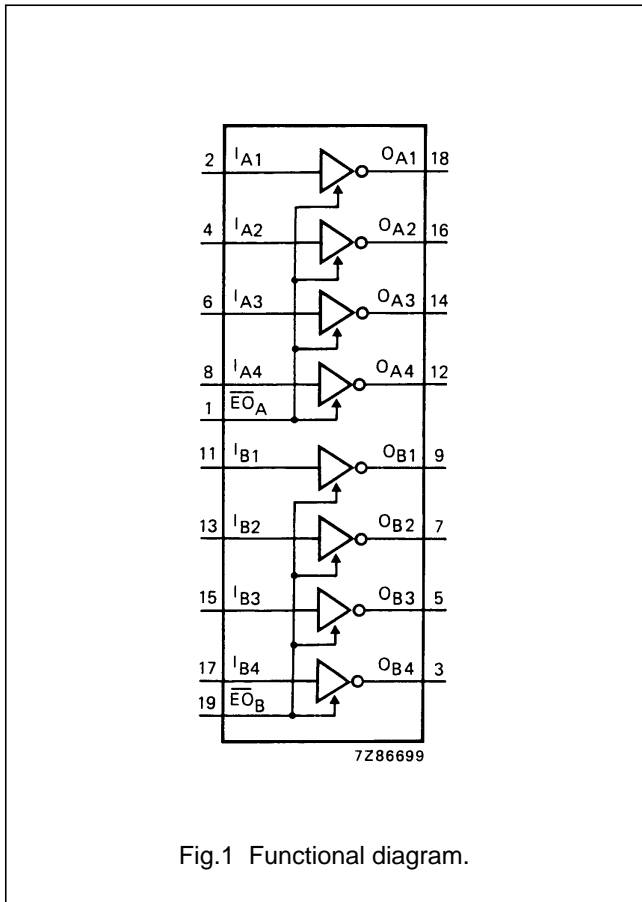


Fig.1 Functional diagram.

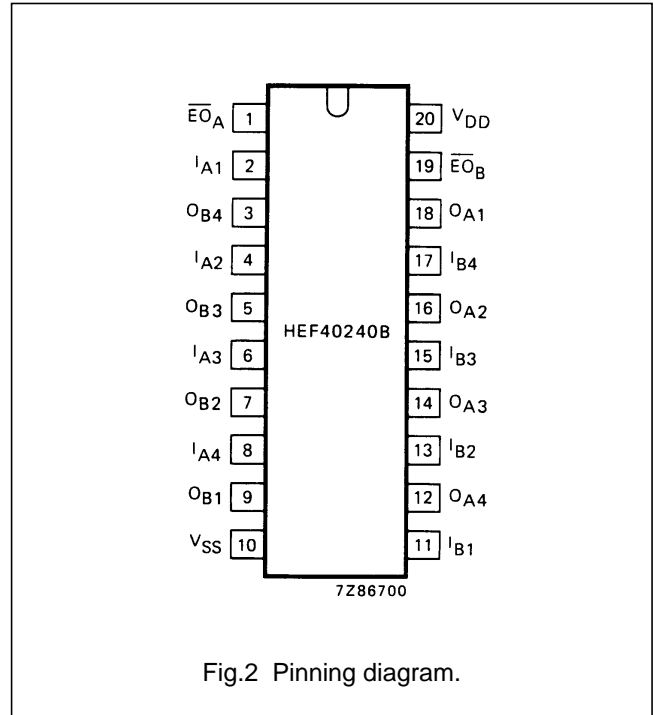


Fig.2 Pinning diagram.

- HEF40240BP(N): 20-lead DIL; plastic (SOT146-1)
- HEF40240BD(F): 20-lead DIL; ceramic (cerdip) (SOT152)
- HEF40240BT(D): 20-lead SO; plastic (SOT163-1)
- ( ): Package Designator North America

PINNING

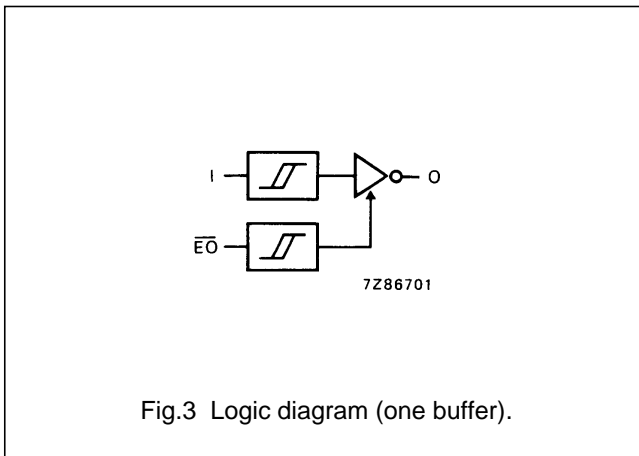
- $I_{A1}$  to  $I_{A4}$  inputs
- $I_{B1}$  to  $I_{B4}$  inputs
- $O_{A1}$  to  $O_{A4}$  bus outputs
- $O_{B1}$  to  $O_{B4}$  bus outputs
- $\overline{EO}_A$ ,  $\overline{EO}_B$  output enable inputs (active LOW)

FAMILY DATA,  $I_{DD}$  LIMITS category buffers

See Family Specifications

Octal inverting buffers with 3-state outputs

HEF40240B  
buffers



TRUTH TABLE

INPUTS		OUTPUT
I <sub>n</sub>	$\overline{EO}$	O <sub>n</sub>
H	L	L
L	L	H
X	H	Z

Notes

- H = HIGH state (the more positive voltage)  
L = LOW state (the less positive voltage)  
X = state is immaterial  
Z = high impedance off state

RATINGS

Limiting values in accordance with the Absolute Maximum System (IEC 134)

See Family Specifications except for:

D.C. current into any input	$\pm I_i$	max.	10 mA
D.C. source or sink current into any output	$\pm I_o$	max.	25 mA
D.C. current into the supply terminals	$\pm I$	max.	100 mA

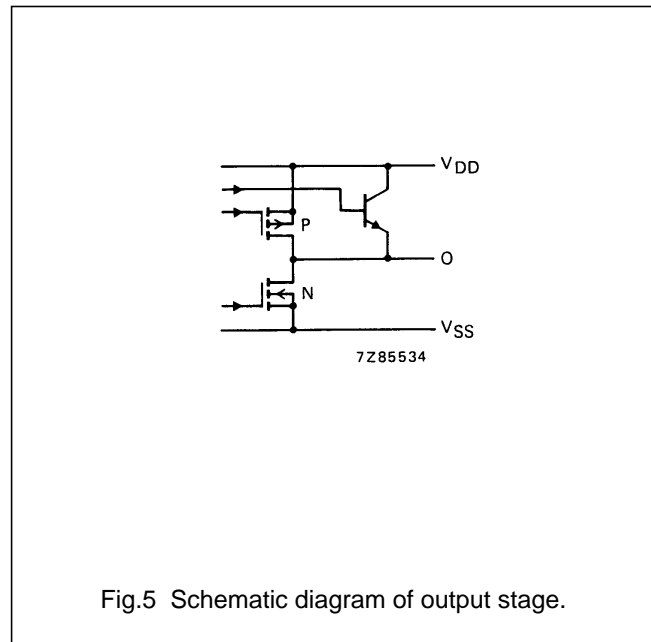
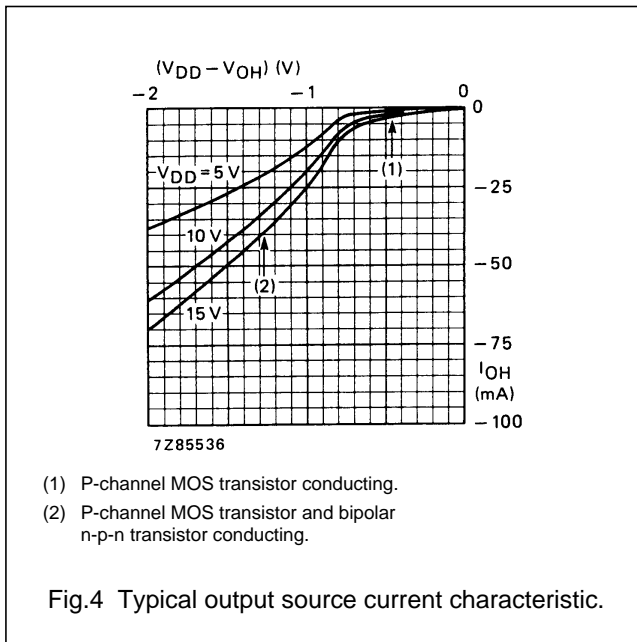
DC CHARACTERISTICS

V<sub>SS</sub> = 0 V

PARAMETER	V <sub>DD</sub>	V <sub>OH</sub>	V <sub>OL</sub>	SYMBOL	T <sub>amb</sub> (°C)						UNIT
					-40		+25		+85		
					MIN.	TYP.	MIN.	TYP.	MIN.	TYP.	
Output current HIGH	5	3,6	-	-I <sub>OH</sub>	9,3	-	10,0	24,0	10,7	-	mA
	10	8,4	-	-I <sub>OH</sub>	14,4	-	15,0	46,0	15,0	-	mA
	15	13,2	-	-I <sub>OH</sub>	19,5	-	20,0	62,0	19,8	-	mA
Output current HIGH	5	4,6	-	-I <sub>OH</sub>	0,75	-	0,6	1,2	0,45	-	mA
	10	9,5	-	-I <sub>OH</sub>	1,85	-	1,5	3,0	1,1	-	mA
	15	13,5	-	-I <sub>OH</sub>	14,5	-	15,0	50,0	15,5	-	mA
Output current LOW	5	-	0,4	I <sub>OL</sub>	2,9	-	2,3	5,4	1,75	-	mA
	10	-	0,5	I <sub>OL</sub>	9,5	-	7,6	17,0	5,50	-	mA
	15	-	1,5	I <sub>OL</sub>	30,0	-	25,0	45,0	19,0	-	mA
Hysteresis voltage (any input)	5	-	-	V <sub>H</sub>	-	-	-	220,0	-	-	mV
	10	-	-	V <sub>H</sub>	-	-	-	250,0	-	-	mV
	15	-	-	V <sub>H</sub>	-	-	-	320,0	-	-	mV

Octal inverting buffers with 3-state outputs

HEF40240B  
buffers



AC CHARACTERISTICS

VSS = 0 V; Tamb = 25 °C; input transition times ≤ 20 ns

ALL BUFFERS SWITCHING	VDD V	TYPICAL FORMULA FOR P (μW)	
Dynamic power	5	$4\ 250\ f_i + \sum (f_o C_L) \times V_{DD}^2$	where fi = input freq. (MHz) fo = output freq. (MHz) CL = load capacitance (pF) Σ (foCL) = sum of outputs VDD = supply voltage (V)
dissipation per	10	$17\ 000\ f_i + \sum (f_o C_L) \times V_{DD}^2$	
package (P)	15	$46\ 000\ f_i + \sum (f_o C_L) \times V_{DD}^2$	

## Octal inverting buffers with 3-state outputs

HEF40240B  
buffers**AC CHARACTERISTICS** $V_{SS} = 0\text{ V}$ ;  $T_{amb} = 25\text{ °C}$ ;  $C_L = 50\text{ pF}$ ; input transition times  $\leq 20\text{ ns}$ 

PARAMETER	$V_{DD}$ V	SYMBOL	MIN.	TYP.	MAX.	UNIT	TYPICAL EXTRAPOLATION FORMULA	
Propagation delays $I_{An/Bn} \rightarrow O_{An/Bn}$ HIGH to LOW	5	$t_{PHL}$		95	190	ns	$83\text{ ns} + (0,24\text{ ns/pF}) C_L$	
	10		40	80	ns	$35\text{ ns} + (0,10\text{ ns/pF}) C_L$		
	15		30	60	ns	$26\text{ ns} + (0,07\text{ ns/pF}) C_L$		
	$I_{An/Bn} \rightarrow O_{An/Bn}$ LOW to HIGH	5	$t_{PLH}$		85	170	ns	$82\text{ ns} + (0,06\text{ ns/pF}) C_L$
		10		40	80	ns	$38\text{ ns} + (0,03\text{ ns/pF}) C_L$	
		15		30	60	ns	$29\text{ ns} + (0,02\text{ ns/pF}) C_L$	
Output transition times HIGH to LOW	5	$t_{THL}$		40	80	ns	see Fig.6	
	10		20	40	ns			
	15		15	30	ns			
	LOW to HIGH	5	$t_{TLH}$		30	60		ns
		10		20	40	ns		
		15		15	30	ns		
3-state propagation delays Output disable times $\overline{EO} \rightarrow O_{An/Bn}$ HIGH	5	$t_{PHZ}$		70	140	ns		
	10		35	70	ns			
	15		30	60	ns			
	LOW	5	$t_{PLZ}$		75	150	ns	
		10		40	80	ns		
		15		30	60	ns		
Output enable times $\overline{EO} \rightarrow O_{An/Bn}$ HIGH	5	$t_{PZH}$		80	160	ns		
	10		35	70	ns			
	15		30	60	ns			
	LOW	5	$t_{PZL}$		90	180	ns	
		10		40	80	ns		
		15		30	60	ns		

Octal inverting buffers with 3-state outputs

HEF40240B  
buffers

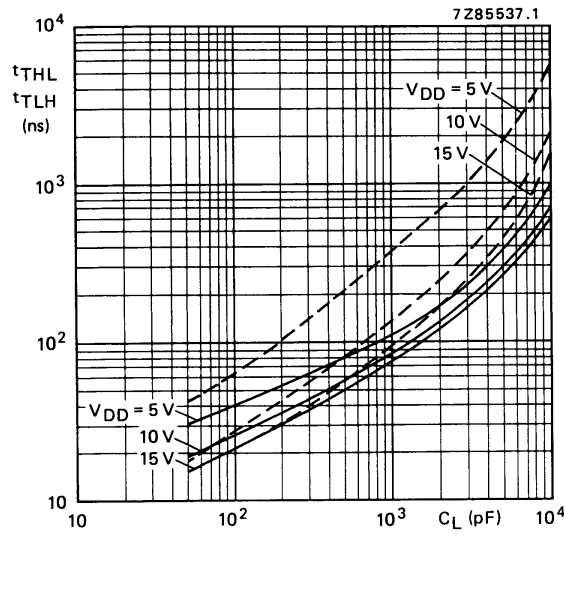


Fig.6 Output transition times as a function of the load capacitance.